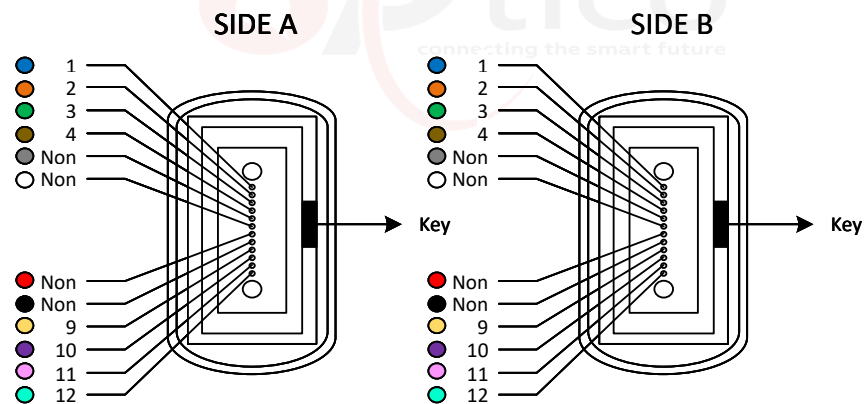


Type A (TIA)

Fiber No.		Color
SIDE A	SIDE B	
1	1	BLUE
2	2	ORANGE
3	3	GREEN
4	4	BROWN
5	5	/
6	6	/
7	7	/
8	8	/
9	9	YELLOW
10	10	VIOLET
11	11	PINK
12	12	AQUA



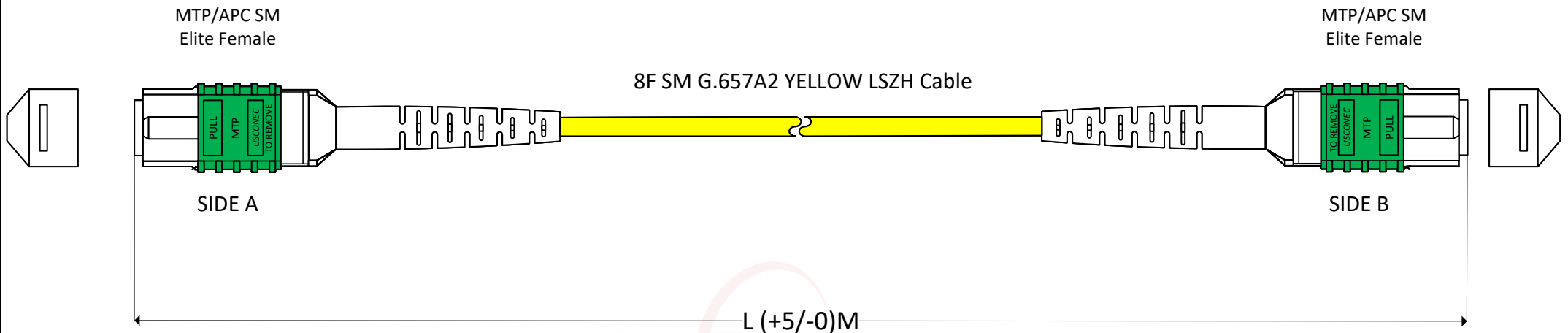
**Specification:**

- 1.Low Loss IL:  $\leq 0.35\text{dB}$
- 2.Return Loss:  $\geq 65\text{dB}$
- 3.Operation Environment:  $-40\sim+85^{\circ}\text{C}$
- 4.Storage Environment:  $-40\sim+85^{\circ}\text{C}$



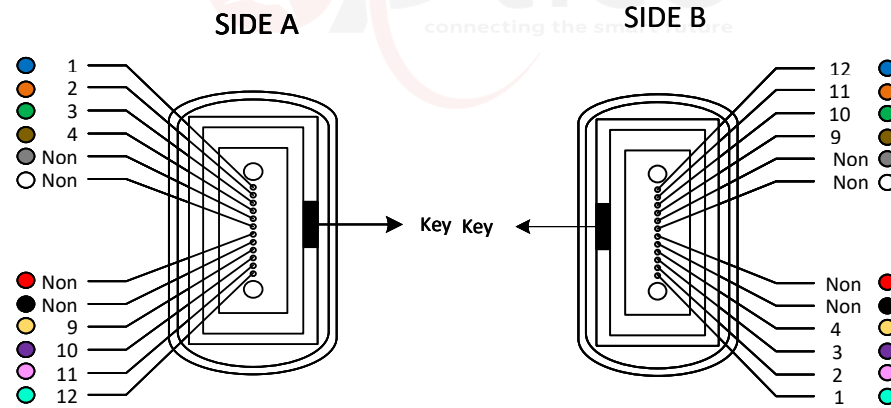
SHENZHEN OPTICO COMMUNICATION CO., LTD.

Model	8F MTPAPC Female-MTPAPC Female Type A SM G657A2 3.0mm Yellow LSZH CPR-Dca Cable					OP-8F-MTPFAPC-FP-SM-A			
FIRST ANGLE PROJECTION	MATERIAL	UNIT	SCALE	SIZE	SHEET	DRAWN	XUELING W	DATE	2025.04.25
	LSZH	m		A4	1	CHECKED	Michael Liu	DATE	2025.04.25
						APPROVED	STEVEN Zhang	DATE	2025.04.25



Type B (TIA)

Fiber No.		Color
SIDE A	SIDE B	
1	12	BLUE
2	11	ORANGE
3	10	GREEN
4	9	BROWN
5	8	/
6	7	/
7	6	/
8	5	/
9	4	YELLOW
10	3	VIOLET
11	2	PINK
12	1	AQUA



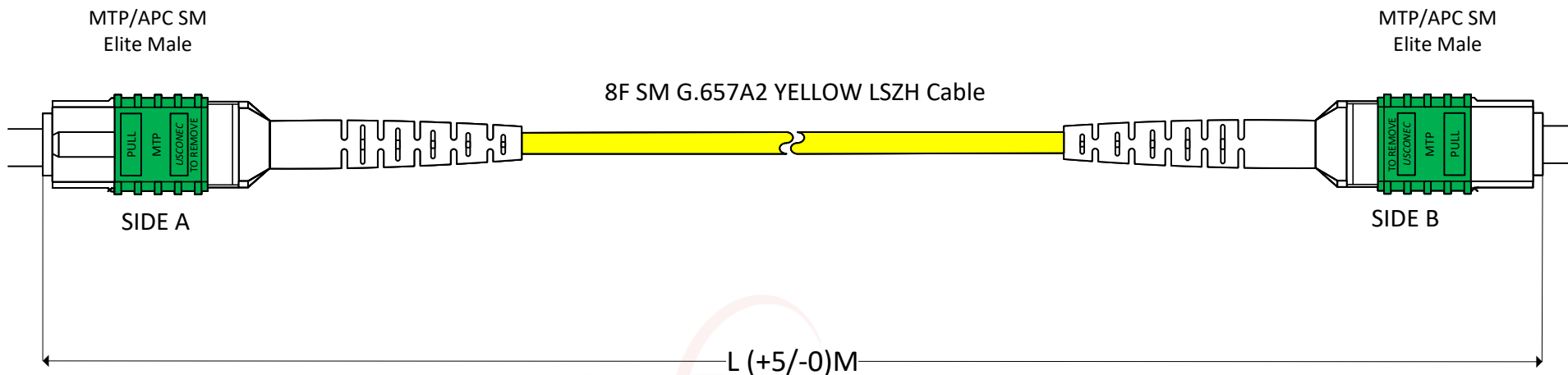
Specification:

- 1.Low Loss IL:  $\leq 0.35\text{dB}$
- 2.Return Loss:  $\geq 65\text{dB}$
- 3.Operation Environment:  $-40\sim+85^{\circ}\text{C}$
- 4.Storage Environment:  $-40\sim+85^{\circ}\text{C}$



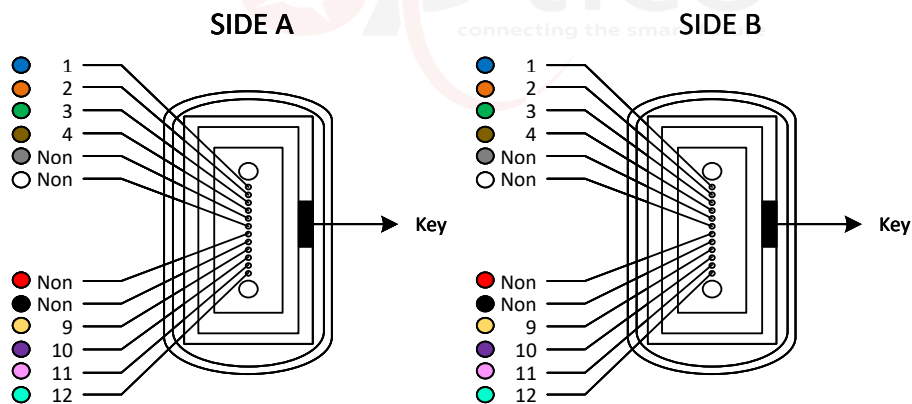
SHENZHEN OPTICO COMMUNICATION CO., LTD.

Model	8F MTPAPC Female-MTPAPC Female Type B SM G657A2 3.0mm Yellow LSZH CPR-Dca Cable					OP-8F-MTPFAPC-FP-SM-B			
FIRST ANGLE PROJECTION	MATERIAL	UNIT	SCALE	SIZE	SHEET	DRAWN	XUELING W	DATE	2025.04.25
	LSZH	m	/	A4	1	CHECKED	Michael Liu	DATE	2025.04.25
						APPROVED	STEVEN Zhang	DATE	2025.04.25



Type A (TIA)

Fiber No.		Color
SIDE A	SIDE B	
1	1	BLUE
2	2	ORANGE
3	3	GREEN
4	4	BROWN
5	5	/
6	6	/
7	7	/
8	8	/
9	9	YELLOW
10	10	VIOLET
11	11	PINK
12	12	AQUA



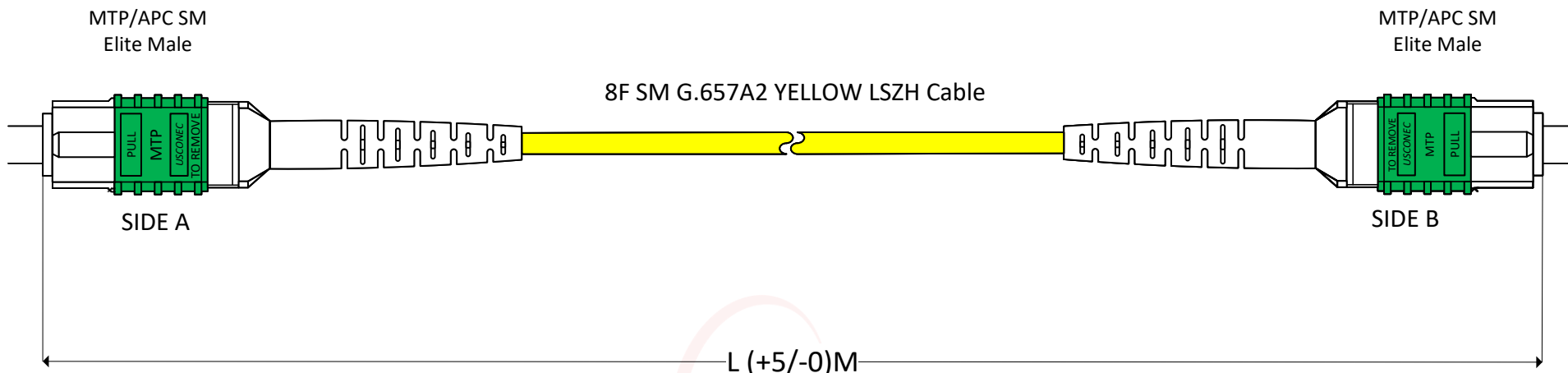
**Specification:**

- 1.Low Loss IL:  $\leq 0.35$ dB
- 2.Return Loss:  $\geq 65$ dB
- 3.Operation Environment:  $-40\sim+85^{\circ}\text{C}$
- 4.Storage Environment:  $-40\sim+85^{\circ}\text{C}$



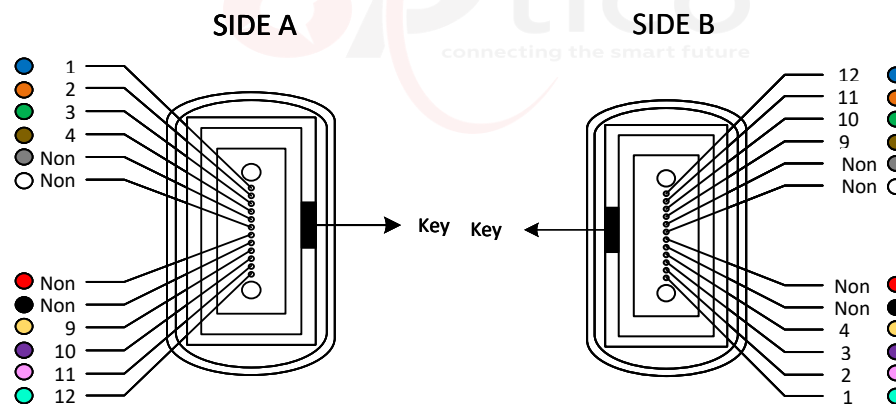
SHENZHEN OPTICO COMMUNICATION CO., LTD.

Model	8F MTPAPC Male-MTPAPC Male Type A SM G657A2 3.0mm Yellow LSZH CPR-Dca Cable					OP-8F-MTPMAPC-FP-SM-A			
FIRST ANGLE PROJECTION	MATERIAL	UNIT	SCALE	SIZE	SHEET	DRAWN	XUELING W	DATE	2025.04.25
	LSZH	m	/	A4	1	CHECKED	Michael Liu	DATE	2025.04.25
						APPROVED	STEVEN Zhang	DATE	2025.04.25



### Type B (TIA)

Fiber No.		Color
SIDE A	SIDE B	
1	12	BLUE
2	11	ORANGE
3	10	GREEN
4	9	BROWN
5	8	/
6	7	/
7	6	/
8	5	/
9	4	YELLOW
10	3	VIOLET
11	2	PINK
12	1	AQUA



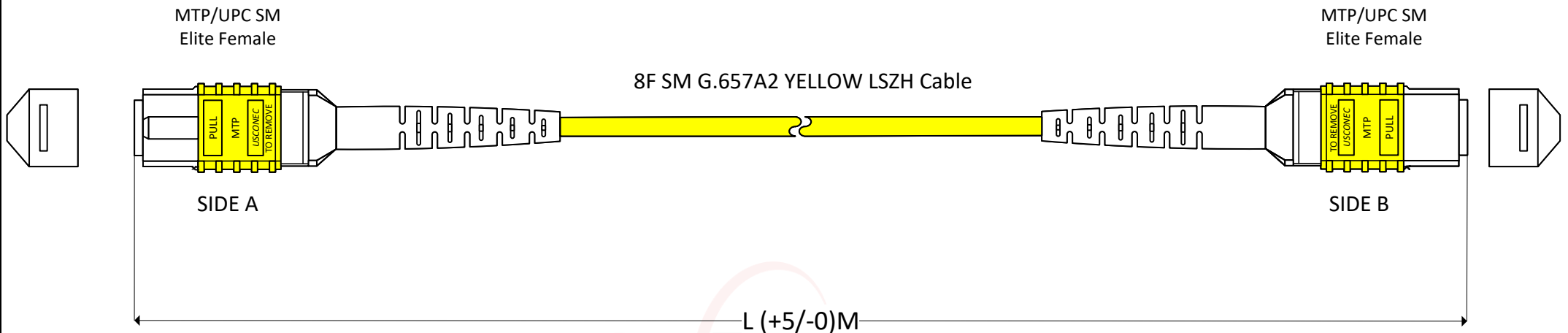
### Specification:

- 1.Low Loss IL:  $\leq 0.35\text{dB}$
- 2.Return Loss:  $\geq 65\text{dB}$
- 3.Operation Environment:  $-40\sim+85^{\circ}\text{C}$
- 4.Storage Environment:  $-40\sim+85^{\circ}\text{C}$



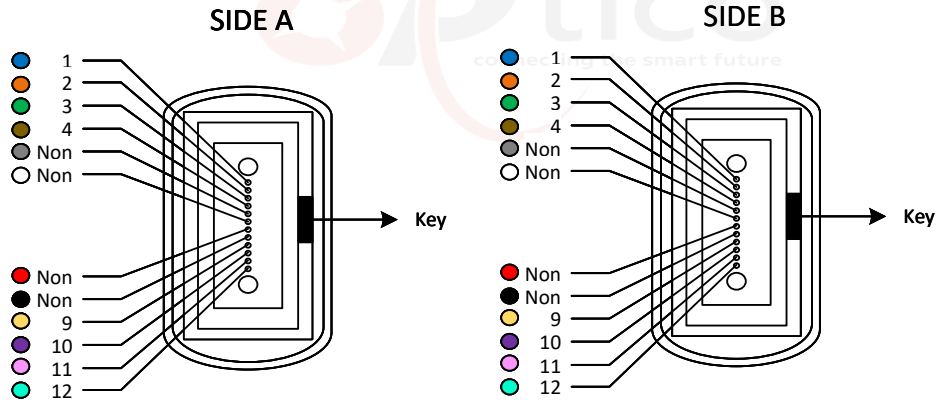
SHENZHEN OPTICO COMMUNICATION CO., LTD.

Model	8F MTPAPC Male-MTPAPC Male Type B SM G657A2 3.0mm Yellow LSZH CPR-Dca Cable					OP-8F-MTPMAPC-FP-SM-B			
FIRST ANGLE PROJECTION	MATERIAL	UNIT	SCALE	SIZE	SHEET	DRAWN	XUELING W	DATE	2025.04.25
	LSZH	m	/	A4	1	CHECKED	Michael Liu	DATE	2025.04.25
						APPROVED	STEVEN Zhang	DATE	2025.04.25



Type A (TIA)

Fiber No.		Color
SIDE A	SIDE B	
1	1	BLUE
2	2	ORANGE
3	3	GREEN
4	4	BROWN
5	5	/
6	6	/
7	7	/
8	8	/
9	9	YELLOW
10	10	VIOLET
11	11	PINK
12	12	AQUA



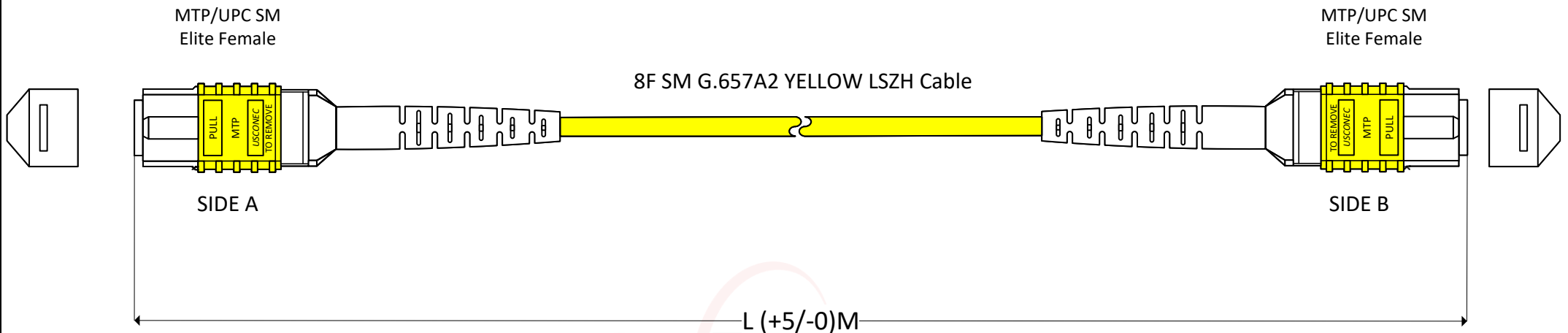
**Specification:**

- 1.Low Loss IL:  $\leq 0.35\text{dB}$
- 2.Return Loss:  $\geq 60\text{dB}$
- 3.Operation Environment:  $-40\sim+85^{\circ}\text{C}$
- 4.Storage Environment:  $-40\sim+85^{\circ}\text{C}$



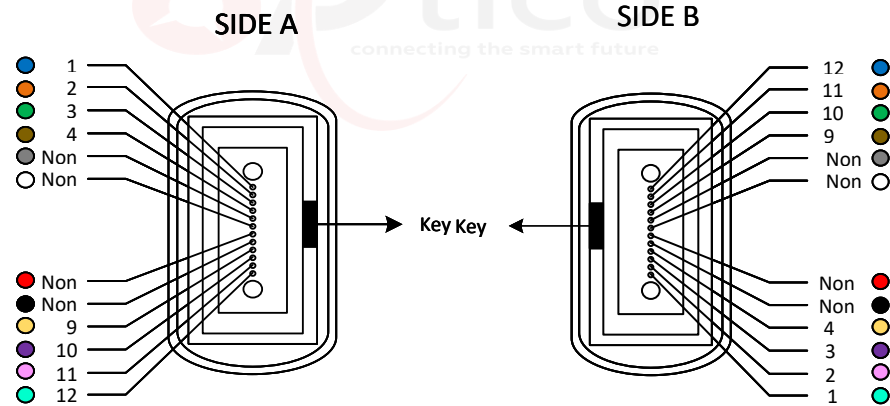
SHENZHEN OPTICO COMMUNICATION CO., LTD.

Model	8F MTPUPC Female-MTPUPC Female Type A SM G657A2 3.0mm Yellow LSZH CPR-Dca Cable					OP-8F-MTPFUPC-FP-SM-A				
FIRST ANGLE PROJECTION	MATERIAL	UNIT	SCALE	SIZE	SHEET	DRAWN	XUELING W	DATE	2025.04.25	
	LSZH	m	/	A4	1	CHECKED	Michael Liu	DATE	2025.04.25	
						APPROVED	STEVEN Zhang	DATE	2025.04.25	



**Type B (TIA)**

Fiber No.		Color
SIDE A	SIDE B	
1	12	BLUE
2	11	ORANGE
3	10	GREEN
4	9	BROWN
5	8	/
6	7	/
7	6	/
8	5	/
9	4	YELLOW
10	3	VIOLET
11	2	PINK
12	1	AQUA



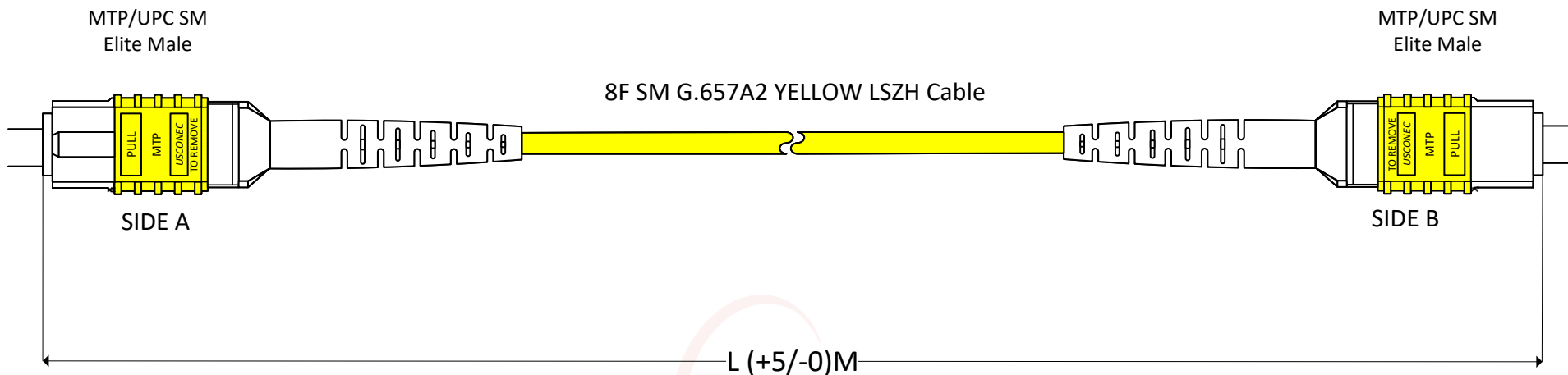
**Specification:**

- 1.Low Loss IL:  $\leq 0.35\text{dB}$
- 2.Return Loss:  $\geq 60\text{dB}$
- 3.Operation Environment:  $-40\sim+85^{\circ}\text{C}$
- 4.Storage Environment:  $-40\sim+85^{\circ}\text{C}$



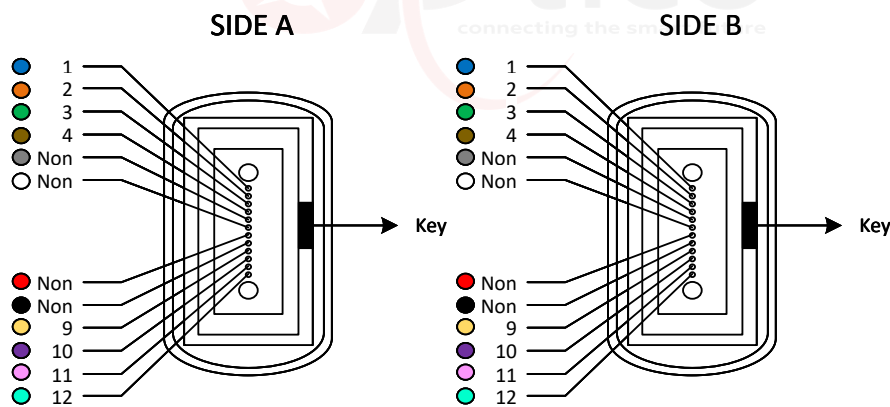
**SHENZHEN OPTICO COMMUNICATION CO., LTD.**

Model	8F MTPUPC Female-MTPUPC Female Type B SM G657A2 3.0mm Yellow LSZH CPR-Dca Cable					OP-8F-MTPFUPC-FP-SM-B			
FIRST ANGLE PROJECTION 	MATERIAL	UNIT	SCALE	SIZE	SHEET	DRAWN	XUELING W	DATE	2025.04.25
	LSZH	m	/	A4	1	CHECKED	Michael Liu	DATE	2025.04.25
						APPROVED	STEVEN Zhang	DATE	2025.04.25



Type A (TIA)

Fiber No.		Color
SIDE A	SIDE B	
1	1	BLUE
2	2	ORANGE
3	3	GREEN
4	4	BROWN
5	5	/
6	6	/
7	7	/
8	8	/
9	9	YELLOW
10	10	VIOLET
11	11	PINK
12	12	AQUA



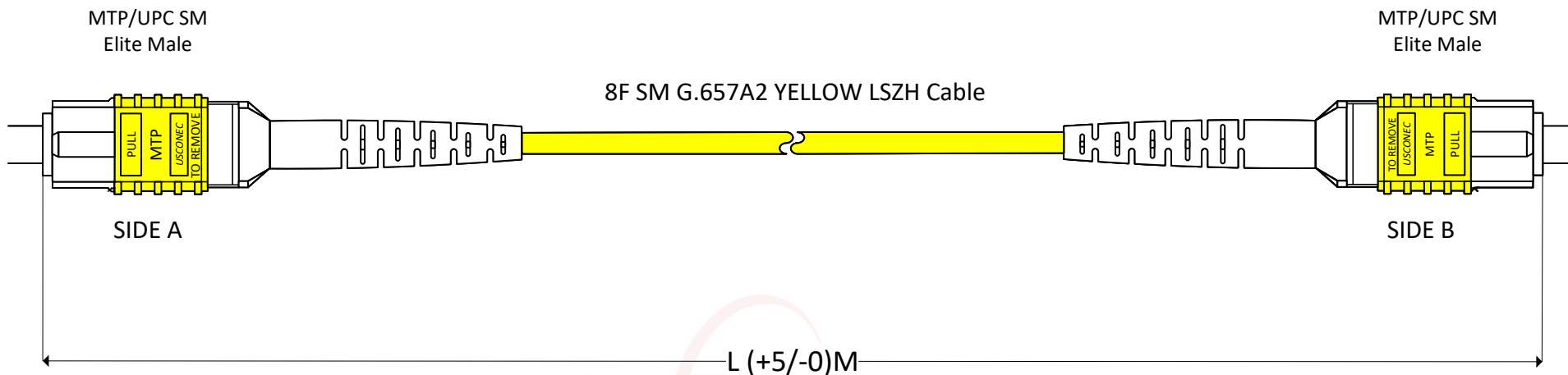
**Specification:**

- 1.Low Loss IL:  $\leq 0.35\text{dB}$
- 2.Return Loss:  $\geq 65\text{dB}$
- 3.Operation Environment:  $-40\sim+85^{\circ}\text{C}$
- 4.Storage Environment:  $-40\sim+85^{\circ}\text{C}$



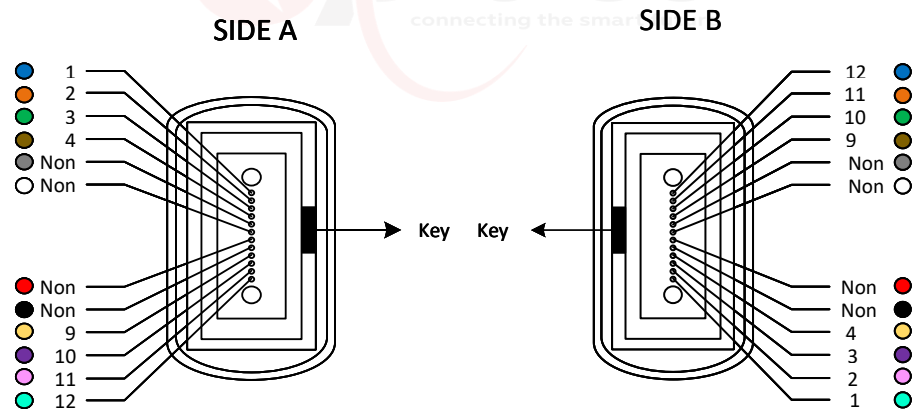
SHENZHEN OPTICO COMMUNICATION CO., LTD.

Model	8F MTPUPC Male-MTPUPC Male Type A SM G657A2 3.0mm Yellow LSZH CPR-Dca Cable					OP-8F-MTPMUPC-FP-SM-A			
FIRST ANGLE PROJECTION	MATERIAL	UNIT	SCALE	SIZE	SHEET	DRAWN	XUELING W	DATE	2025.04.25
	LSZH	m	/	A4	1	CHECKED	Michael Liu	DATE	2025.04.25
						APPROVED	STEVEN Zhang	DATE	2025.04.25



Type B (TIA)

Fiber No.		Color
SIDE A	SIDE B	
1	12	BLUE
2	11	ORANGE
3	10	GREEN
4	9	BROWN
5	8	/
6	7	/
7	6	/
8	5	/
9	4	YELLOW
10	3	VIOLET
11	2	PINK
12	1	AQUA



Specification:

- 1.Low Loss IL:  $\leq 0.35\text{dB}$
- 2.Return Loss:  $\geq 65\text{dB}$
- 3.Operation Environment:  $-40\sim+85^{\circ}\text{C}$
- 4.Storage Environment:  $-40\sim+85^{\circ}\text{C}$



SHENZHEN OPTICO COMMUNICATION CO., LTD.

Model	8F MTPUPC Male-MTPUPC Male Type B SM G657A2 3.0mm Yellow LSZH CPR-Dca Cable					OP-8F-MTPMUPC-FP-SM-B			
FIRST ANGLE PROJECTION	MATERIAL	UNIT	SCALE	SIZE	SHEET	DRAWN	XUELING W	DATE	2025.04.25
	LSZH	m	/	A4	1	CHECKED	Michael Liu	DATE	2025.04.25
						APPROVED	STEVEN Zhang	DATE	2025.04.25